

Most Versatile Fume and Dust Collector
on the Market

Airflow Capacity 1000m³/h

Filtration Media Surface 12m²

2 Stage Filtration with Spark Trap

Easy to Service Filter Tray

Compressed Air Pulse Cleaning Built-In

Ready to Work with 1620 and 1630

Oskar Standard and Hose Arms



Mobile filter unit for fume and dry dust collection at:

- **WELDING**
- **GRINDING**
- **CUTTING**
- **TRANSFFERING and many more**



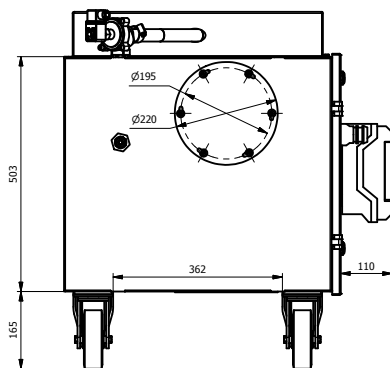
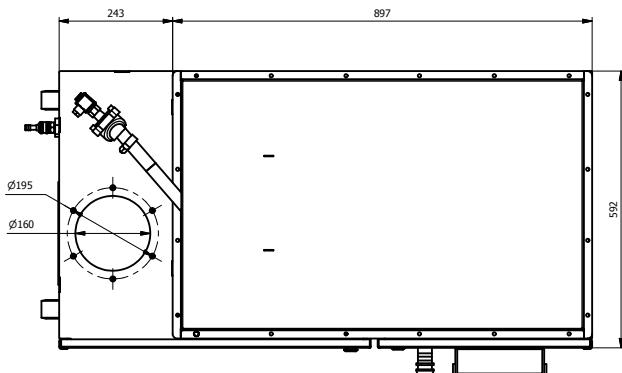
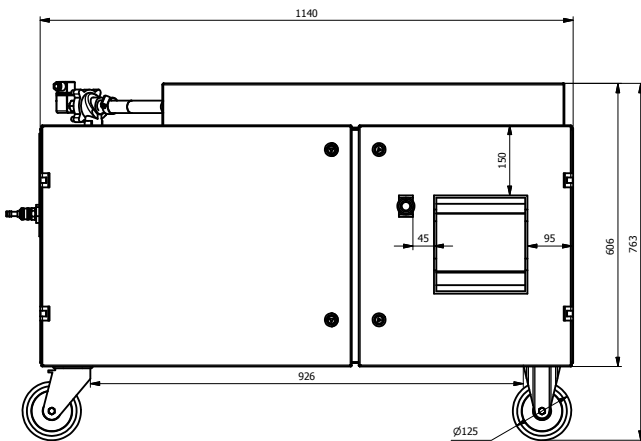
Crawlair M

CRAWLAIR M - mobile filter unit

Oskar's Portable Filtering unit Crawlair M is designed to exhaust and filter dry impurities. A highly efficient filtering cartridge makes it possible to use everywhere for processes such as welding, grinding, polishing, cutting of metals or plastics and much more. Crawlair M is not designed for filtering the air from corrosive, caustic and explosive gases and dusts. The housing of Crawlair is manufactured of welded steel. It is completely painted with polyester-epoxy powder paint. Inside there is an metal mesh (prefilter), which protects the cartridge from sparks and also prefilters air from larger particles. Crawlair M main

filter stage are two polyester cartridges on easy to maintain filter tray. Cartridges are cleaned with a compressed air system enclosed inside the cabinet (air tank with safety valve, pneumatic pulse valve). Cleaning is started with a palm button (manually controlled cleaning) and should be performed each time the airflow decreases or at the end of a work day (depending on usage). Large rear wheels mounted to the rear of the housing and swivel casters mounted to the front make it easy to move unit in a work area. Oskar fume arm models 1620P, 1630P or hose versions (H1620P, H1630P) can be mounted at the top of the unit.

Overall dimensions



Technical data

Airflow	[m ³ /h]	1000
Weight	[kg]	105
Power supply	[V] / [Hz]	3x400 / 50
Motor power	[kW]	1.1
Noise level	dB(a)	73
Compressed air tank*	[dm ³]	10
Dust tray	[l]	10
Filtration media:		
Metal prefilter (1 pcs)	[mm]	540x440x20
Filtration class	[-]	G2
Polyester cartridge (2 pcs.)	[mm]	Ø255x400
Filtration class	[-]	F7 do H12 (wg PN)

* compressed air 5-6 [bar] filtered, free of oil and water

Crawlair M - arms and options

W02-01-1620P	Oskar fume arm 1620P, reach 2m, hood inlet Ø315mm
W02-01-1630P	Oskar fume arm 1630P, reach 3m, hood inlet Ø315mm
W02-HA-1620P	Hose arm 2m, hood inlet Ø315mm
W02-HA-1630P	Hose arm 3m, hood inlet Ø315mm
P02-80-0101	Light kit option (MOD-L) with transformer for one arm (not available with hose arms)
P02-80-0102	Light kit and automatic (welding arc triggered) fan start/stop option for one arm (not available with hose arms) MOD-A + ZAR-A
P02-80-0301	Timer controlled compressed air cleaning operation TC-1

Fume arms working radius*

1620P	[m]	2
1630P	[m]	3
H1620P	[m]	2
H1630P	[m]	3

* please refer to individual card of product

Oskar Air Products Representative

