



# Swinging Extension Booms

Extending the reach of:

**Fume Arms**

**Hose Reels**

**Hoses**

**and more...**



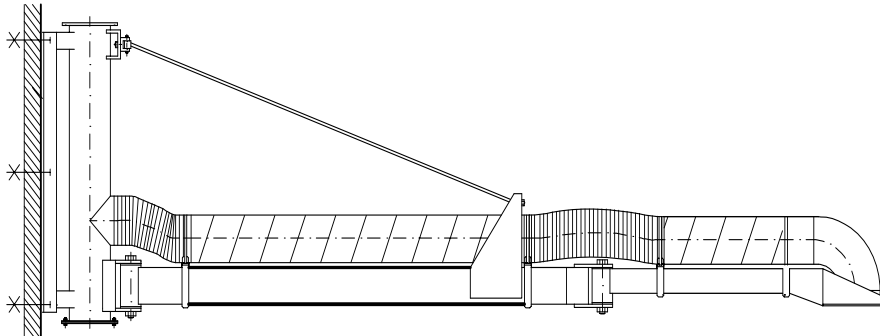
**Designed for capturing:**

- **WELDING FUMES**
- **GRINDING DUSTS**
- **DRY DUSTS**
- **SOLDERING DUSTS**
- **POWDERS**

**and many more...**

## Swinging Extension Booms

Oskar's swinging extension booms are designed to enlarge the reach of Oskar's products, such as self supporting arms and vehicle exhaust equipment such as hose reels and flexible hoses. The extension boom helps in reaching areas which are distant from wall or the mounting point. They also can be used to support items such as feeders or undersling hoses or cables. The swivel section of the boom is made of rolled steel pipe, which is capped at the bottom as standard. The top of the pipe, same as the bottom, is adapted to accept a fan or flanged duct connection. The extension beams are manufactured of heavy gauge square steel tube with bearing swivel. The spiral ducting mounted along the beam can be of 160mm or 200mm diameter. As a standard all units are supplied with a bracket to mount Oskars fume arms. Double pivot type extension booms are divided by a center bearing hinge which allows the user to reach back under the extension boom or just simply to reach around the corner.

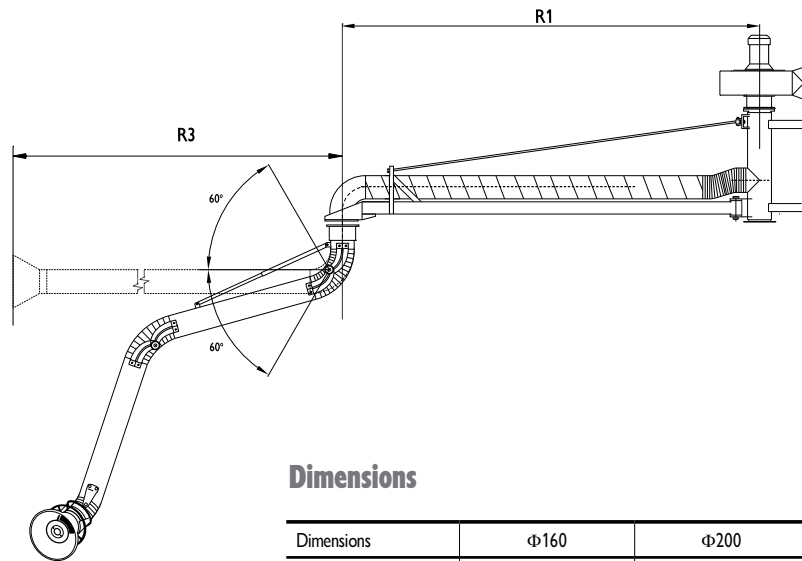


### Construction Features

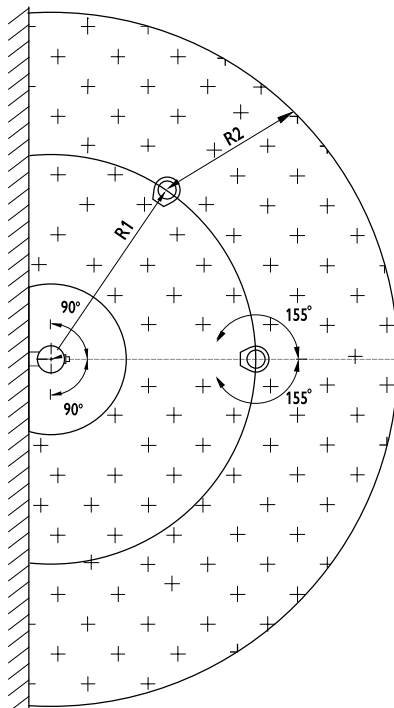
- Heavy Duty welded construction
- Flexible hoses for ease of move
- Ball bearing joints
- 2 diameters  $\Phi 160$  or  $\Phi 200$
- Dual way of mounting exhaust system
- Easy mount socket for Fume Arm or hose reel

### Performance Features

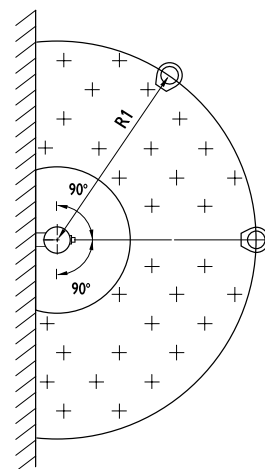
- Maximum recommended arm sizes  
Single pivoting: up to 4m  
Double pivoting: up to 3m
- No internal construction
- No suction loss
- 180° operation area (main pivot)
- 155° operation area (second pivot)
- Possibility to undersling hoses or cables



### Working Area



Double pivoting boom.



Single pivoting boom.

### Dimensions

Dimensions	$\Phi 160$	$\Phi 200$
1m	0,9	0,9
2m	1,9	2,1
3m	2,9	2,9
4m	3,8	3,8
5m	4,8	4,9
6m	5,8	5,9
1m + 1m	0,9+1,1	0,9+1,1
2m + 1m	2,0+1,1	1,9+1,1
2m + 2m	2,0+1,8	1,9+1,8
3m + 1m	3,0+1,1	2,9+1,1
3m + 2m	3,0+1,8	2,9+1,8
4m + 1m	3,8+1,1	3,9+1,1
4m + 2m	3,8+1,8	3,9+1,8

Working area (with arm 1630P).

# Swinging Extension Booms