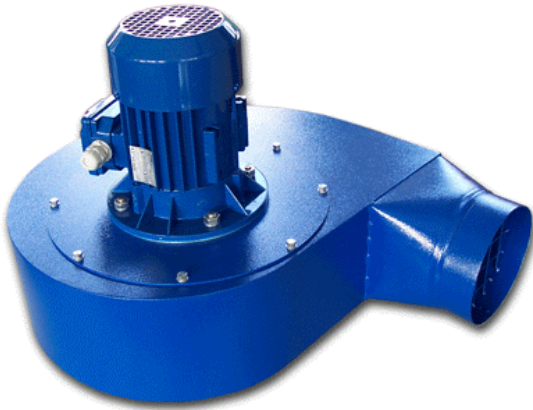




FAN UNITS type ZWR-03 • ZWR-04

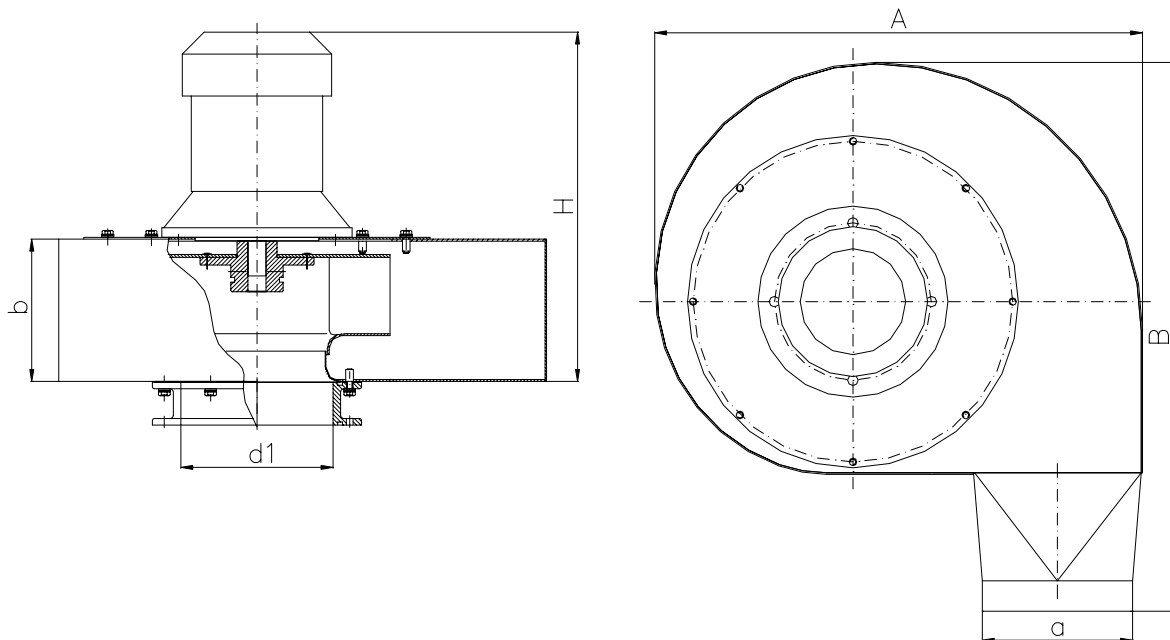


Oskar fan units type ZWR are equipped with backward inclined blade impeller of closed radial construction. ZWR units are meant for usage with non-explosive and chemically non-aggressive gases of temperature up to 40°C (313K).

ZWR units can be used for polluted air and light dusts (up to 0.5 g/m³) but should not be used to transport solid parts. Fans are constructed of powder coated welded sheet iron. They have aluminium impellers which are mounted directly on the motor shaft. The fan inlet has duct connection collar. See *technical data table for fan/motor specifications*.

Noise value is maximal and measurement has been taken in the range of 1M from open fan outlet and with 6M duct connected to the fan inlet. 5dB(A) decrease should be expected when fans are connected to duct installation.

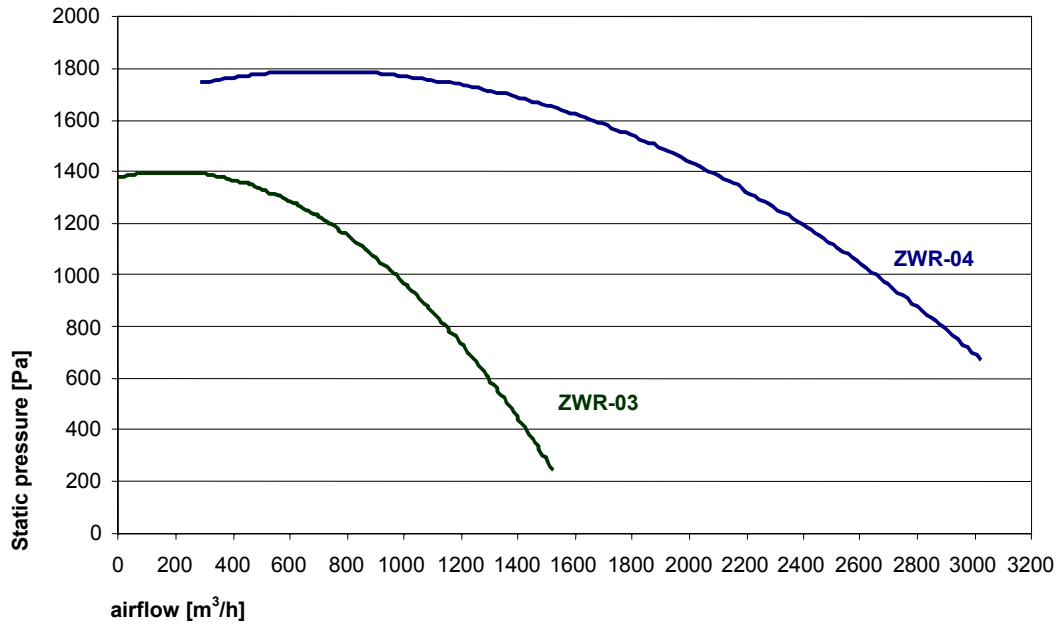
Technical data



Fan type	Motor	Power supply [V] / [Hz]	Motor power [kW]	Rotation [obr/min]	Insulation class	Protection class	Noise [dB(A)]	Dimensions [mm]					
								A	B	H	d1	a	b
ZWR-03	SKh 80-2A	3x400/50	0,75	2780	F	IP55	77	513,1	575,1	336	160	158	149
ZWR-04	SKh 80-2B	3x400/50	1,1	2760	F	IP55	79	577	628,8	432	160	198	171

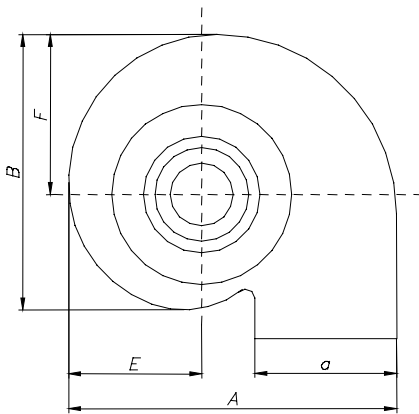
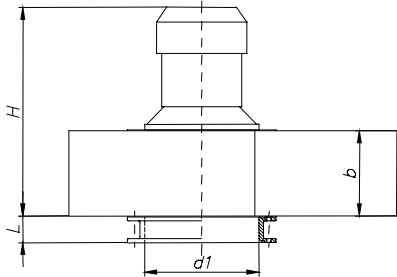


ZWR airflow curves ZWR-03 • ZWR-04





FAN UNITS TYPE ZWR-05 • ZWR-07 • ZWR-08



Fan Type →
Data ↓

		ZWR-05	ZWR-07	ZWR-08
Motor				
voltage	[V] / [Hz]	3x380/50	3x380/50	3x380/50
power	[kW]	2.2	3.0	5.5
rotation	[rpm]	2820	2905	2865
insulation class	-	F	F	F
protection degree	-	IP55	IP55	IP55
Noise	[dB(A)]	84	90	98
Dimensions				
A	[mm]	646	730	828
B	[mm]	545	615	690
E	[mm]	264	298	336
F	[mm]	318	358	404
H	[mm]	420	445	685
L	[mm]			
d1	[mm]	200	250	315
a	[mm]	275	355	360
b	[mm]	140	143	168

Airflow curves ZWR-05 • ZWR-07 • ZWR-08

