



# RollOut

**1000m<sup>3</sup>h@Hood**

**Spark Trap**

**Large Wheels**

**Single Cartridge**

**Manual Pulse Clean**

**Arm Diameter: 160mm**

**Arm Lengths: 2m, 3m**



**Portable air cleaner for capturing:**

- **WELDING FUMES**
- **GRINDING DUSTS**
- **DRY DUSTS**
- **SOLDERING DUSTS**
- **POWDERS**

**and many more...**

## Filtering Unit RollOut

Oskar's Portable Filtering unit RollOut is designed to exhaust and filter dry impurities. A highly efficient filtering cartridge (up to USGC BIA category) makes it possible to use everywhere for processes such as welding, grinding, polishing, cutting of metals and plastics and much more. The RollOut is not designed for filtering the air from corrosive, caustic and explosive gases and dusts. The housing of The RollOut is manufactured of welded steel sheet. It is completely painted with polyester-epoxy powder paint. Inside there is an aluminium mesh (prefilter), which protects the cartridge from sparks and prefilters the air. Next there is main cartridge filter and a final carbon after-filter at the outlet. The cartridge filter is cleaned with a compressed air system which is located inside the cabinet (air tank with safety valve, pneumatic pulse valve). Cleaning is started with a palm button (manually controlled cleaning) and should be performed each time the airflow decreases or at the end of a work day (depending on usage). The RollOut filtering unit is also equipped with a heavy duty Electrical on/off switch. Large rear wheels mounted to the rear of the housing and swivel casters mounted to the front of the housing make easy for moving the unit to work area. A self-supporting Fume Arm model 1620P (160mm x 2m) or 1630P (160mm x 3m) can be mounted at the top of the unit.



# RollOut

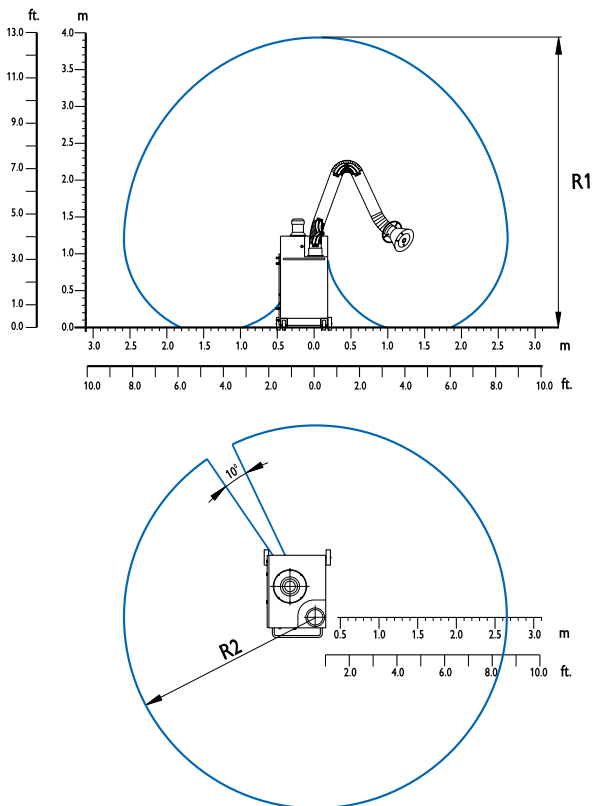
### Construction Features

- Heavy Duty welded construction
- Heavy Duty Wheels and Swivel Castors
- Full Width handle for ease of movement
- Easy access to the filters
- Low Center of Gravity to prevent tipping
- Built in Spark trap
- 10l compressed air tank
- 1,5kW Motor
- Multiple motor voltages available
- Thermal overload for motor

### Performance Features

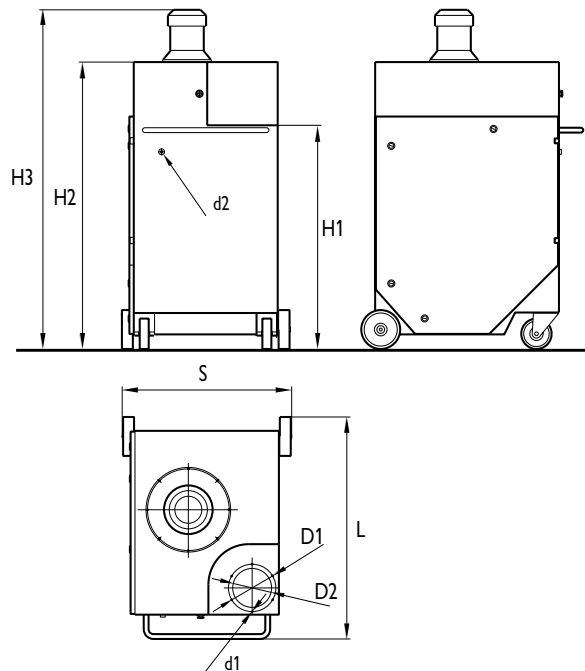
- Recommended optionally supplied standard arm sizes  
Arm Option 1: 160mm x 2m  
Arm Option 2: 160mm x 3m
- 3 Stage filtration  
Stage 1: (1) Metal Mesh Filter  
Stage 2: (1) Polyester Spun Bond Cartridge  
Stage 3: (1) Carbon after Filter
- 99% @ 1micron Filter Efficiency
- 69dB(a) level @ 1m
- Manual pulse cleaning (option of timer controlled)

### Working Area



Working area (with arm 1630P).

### Dimensions



Dimensions	Unit	
L	[in] / [mm]	34.92 / 887
S	[in] / [mm]	29.21 / 742
H1	[in] / [mm]	36.3 / 922
H2	[in] / [mm]	46.53 / 1182
H3	[in] / [mm]	55.1 / 1400
D1	[in] / [mm]	6 / 160
D2	[in] / [mm]	7.68 / 195
d1	[in] / [mm]	M6 metric thread
d2	[in]	1/4" NPT
R (for 1630P)	[ft.] / [m]	9.2 / 2.8
R (for 1630P)	[ft.] / [m]	13 / 4.05

### Technical Data

RollOut		
Airflow with arm*	[cfm] / [m³/h]	615 / 1000
Weight 1 (without arm)	[lb] / [kg]	275 / 125
Weight 2 (with arm 1630P)	[lb] / [kg]	320 / 145
Motor power supply (voltage)	[V] / ph / [Hz]	380 / 3 / 50
Motor power	[HP] / [kW]	2.0 / 1.5
Waste drawer	[Gallons] / [l]	2.23 / 10
Filters:		
Preliminary (metal)	[in] / [mm]	21x17x0.8 / 540x440x20
Cartridge	[in] / [mm]	12.8x26 / 325x660
Carbon at outlet	[in] / [mm]	21x17x0.8 / 540x440x20