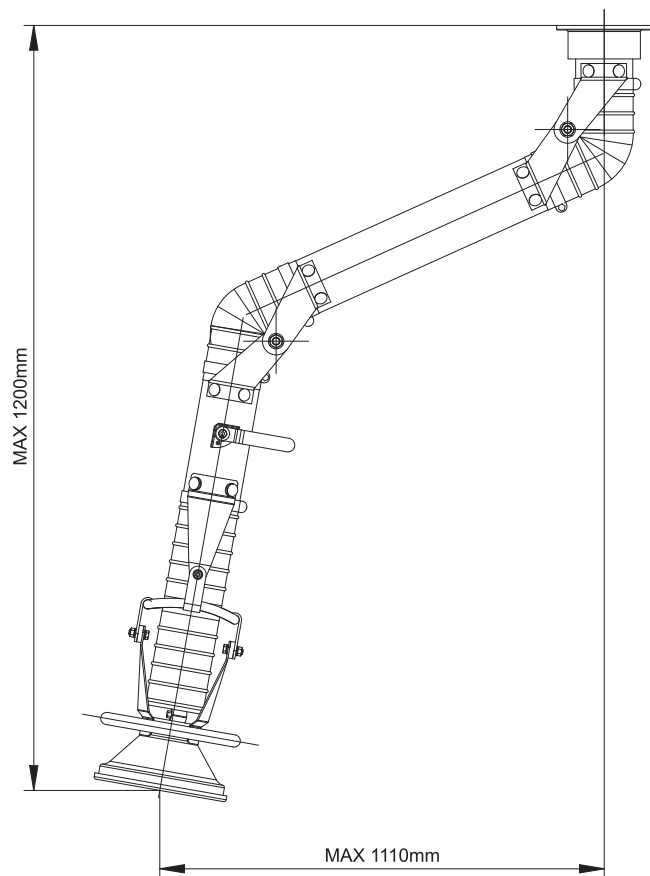
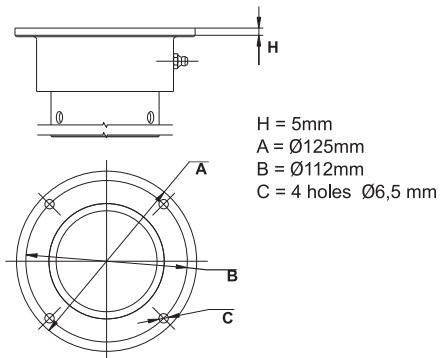


Product: Oskar fume extraction arm Ø75 - hanging model

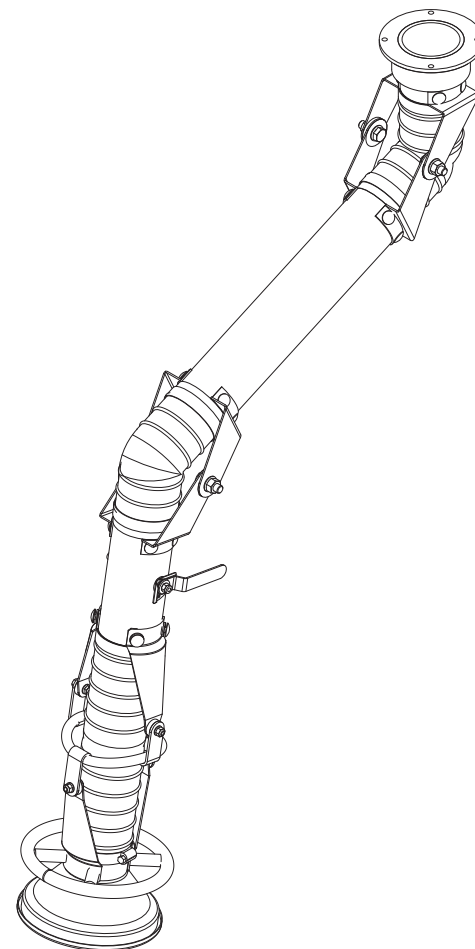
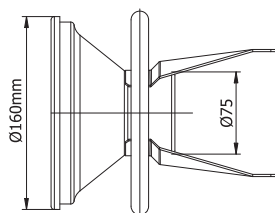
Index: W02-01-0710



**Oskar Fume Arm Mounting Flange**



**Standard hood**



- Accessories and options:**
- P07-01-0001 - Mounting bracket Ø75
  - P02-80-0001 - MOD A light kit & photo sensor
  - P02-80-0002 - MOD L light kit with Switch

- Standard construction:**
- galvanized tubes powder coated color blue RAL5010
  - aluminum hood powder coated yellow RAL1028
  - external aluminum arm joint parts painted black
  - flexible PVC black hose rated (temperature resistance up to 80°C)
  - standard built-in manual damper
  - all external adjustments and supports
  - grab handle all around the hood

