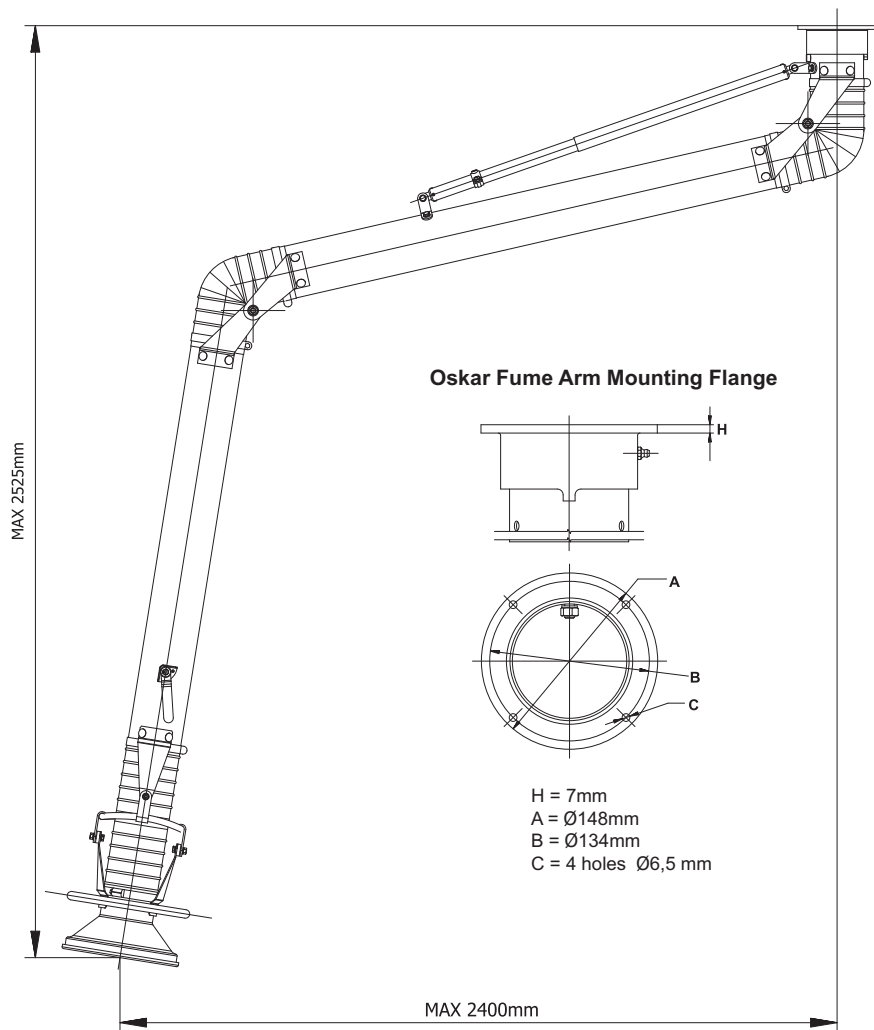
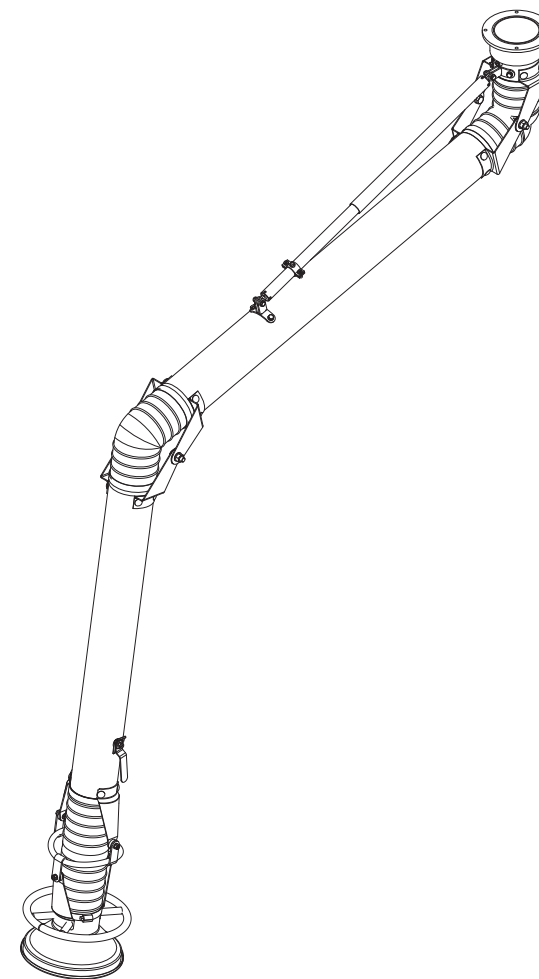
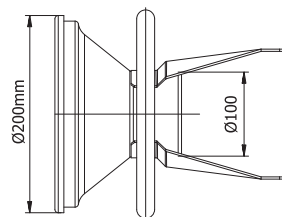


Product: Oskar fume extraction arm Ø100 - hanging model

Index: W02-01-1025



**Standard hood**



**Accessories and options:**

- P07-01-0002 - Mounting bracket WS-100
- P02-80-0001 - MOD A light kit & photo sensor
- P02-80-0002 - MOD L light kit with Switch



**Standard construction:**

- galvanized tubes powder coated color blue RAL5010
- aluminum hood powder coated yellow RAL1028
- external aluminum arm joint parts painted black
- flexible PVC black hose rated (temperature resistance up to 80°C)
- standard built-in manual damper
- all external adjustments and supports
- grab handle all around the hood

