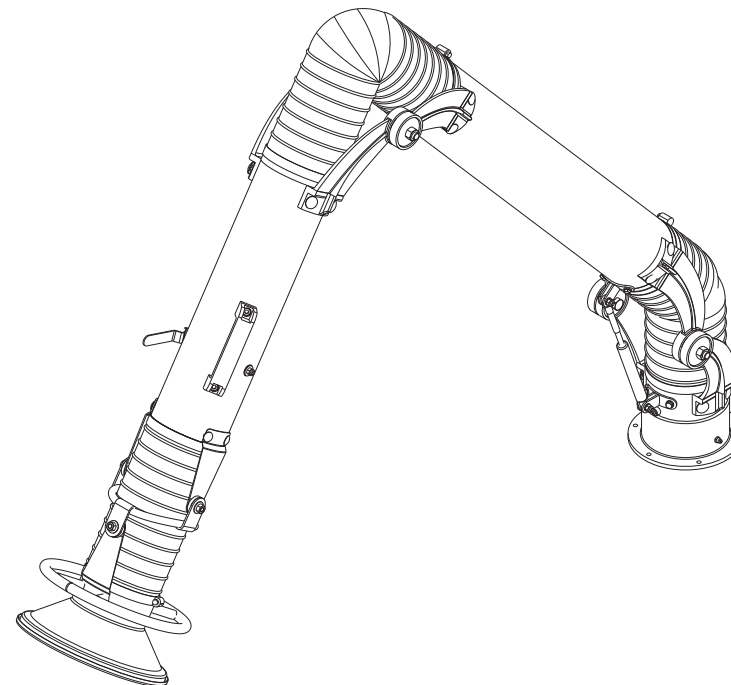
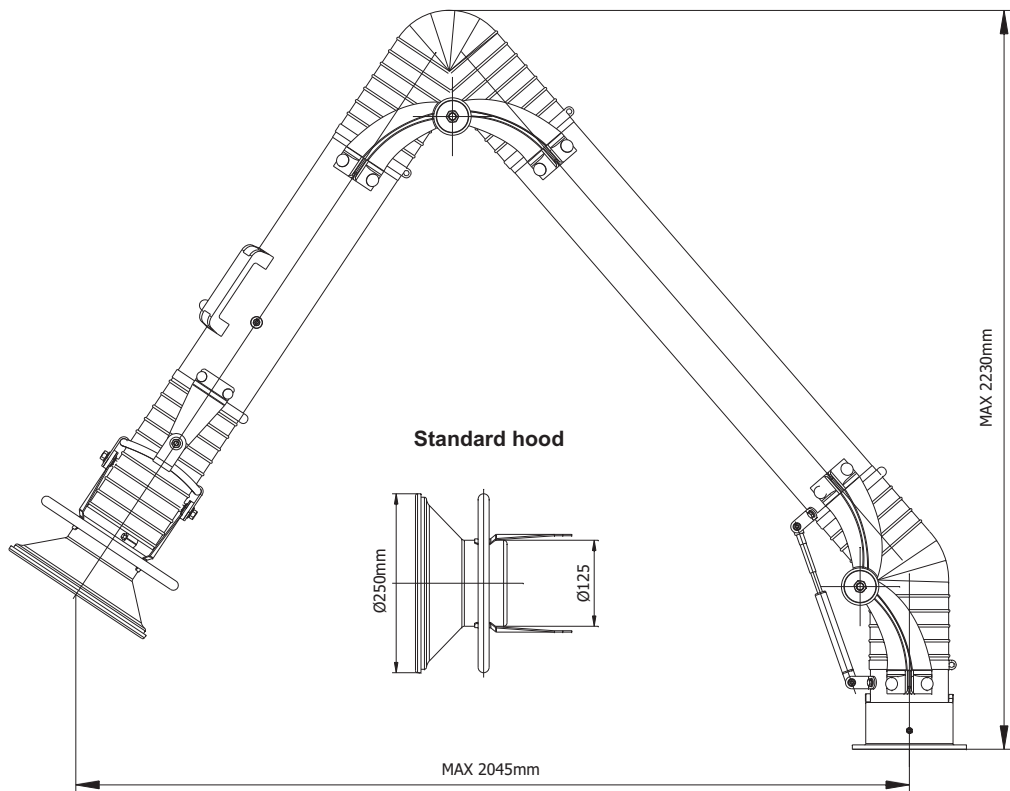


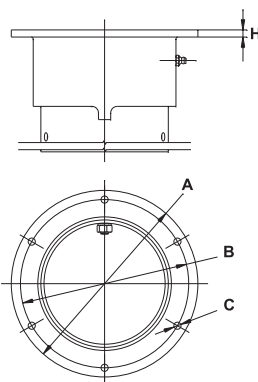
Product: Oskar fume extraction arm Ø125 - standing model

Index: W02-01-1220P



**Oskar Fume Arm
Mounting Flange**

- H = 7mm
- A = Ø183mm
- B = Ø165mm
- C = 4 holes Ø7mm



Accessories and options:

- P07-01-0003 - Mounting bracket WS-125
- P02-80-0001 - MOD A light kit & photo sensor
- P02-80-0002 - MOD L light kit with Switch

Standard construction:

- galvanized tubes powder coated color blue RAL5010
- aluminum hood powder coated yellow RAL1028
- external aluminum arm joint parts painted black
- flexible PVC black hose rated (temperature resistance up to 80°C)
- standard built-in manual damper
- all external adjustments and supports
- grab handle all around the hood

