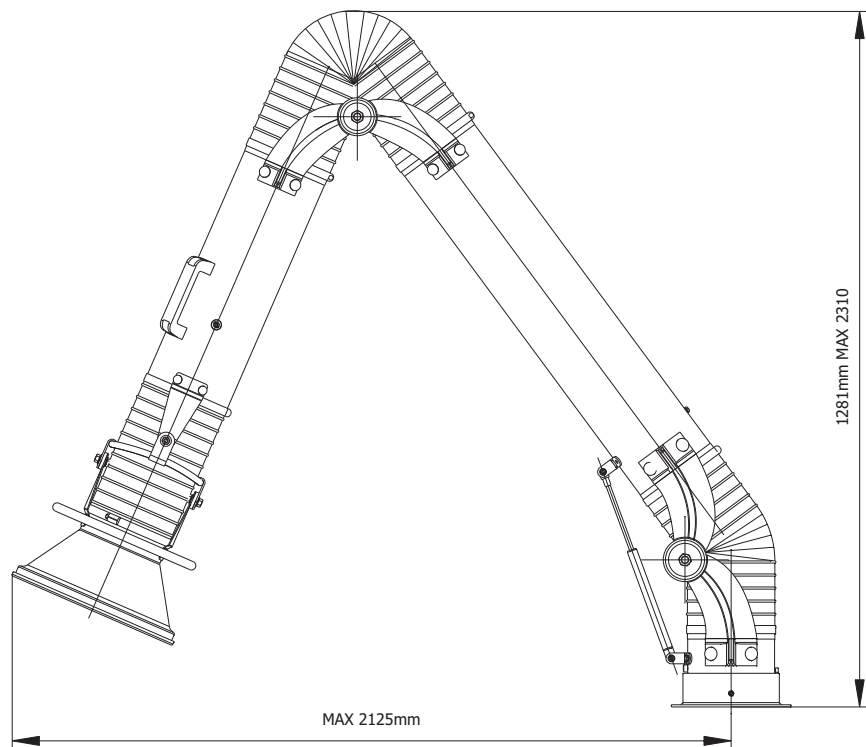
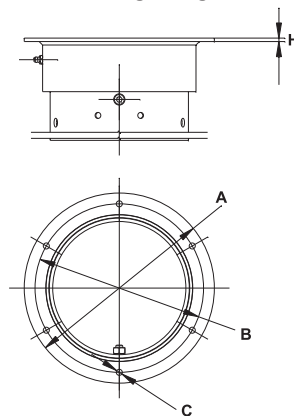


Product: Oskar fume extraction arm Ø160 - standing model

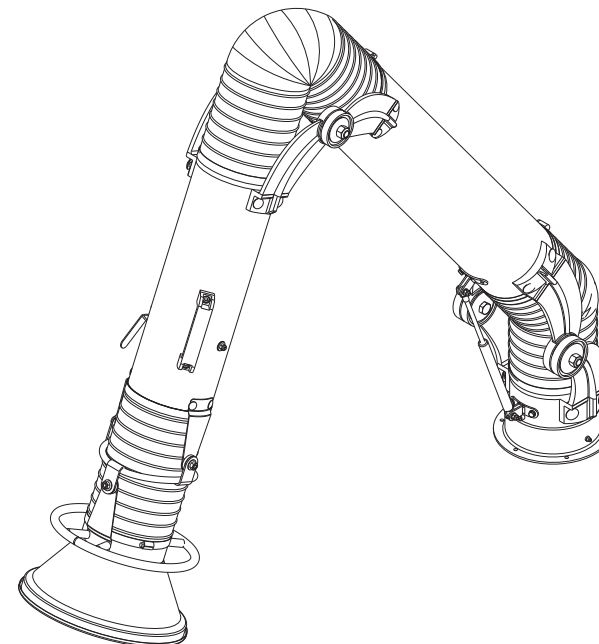
Index: W02-01-1620P



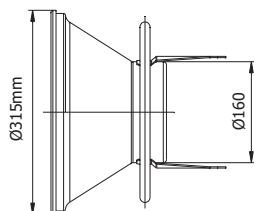
**Oskar Fume Arm
Mounting Flange**



H = 7mm
A = Ø220mm
B = Ø195mm
C = 6 holes Ø7mm



Standard hood



Accessories and options:

- P07-01-0002 - Mounting bracket WS-100
- P07-01-0013 - Longer bracket Ø160
- P02-80-0001 - MOD A light kit & photo sensor
- P02-80-0002 - MOD L light kit with Switch



Standard construction:

- galvanized tubes powder coated color blue RAL5010
- aluminum hood powder coated yellow RAL1028
- external aluminum arm joint parts painted black
- flexible PVC black hose rated (temperature resistance up to 80°C)
- standard built-in manual damper
- all external adjustments and supports
- grab handle all around the hood

