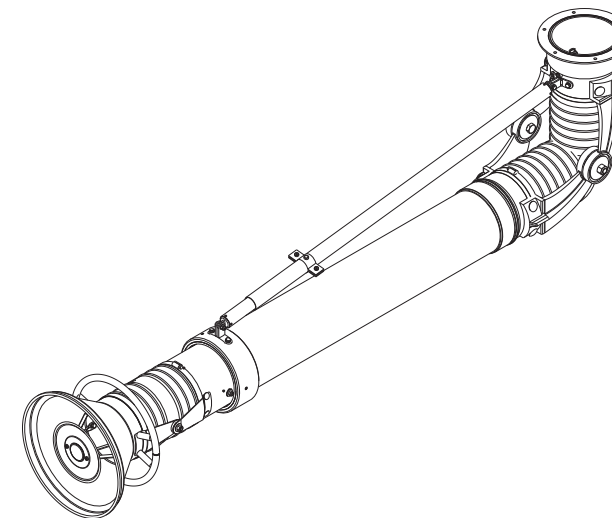
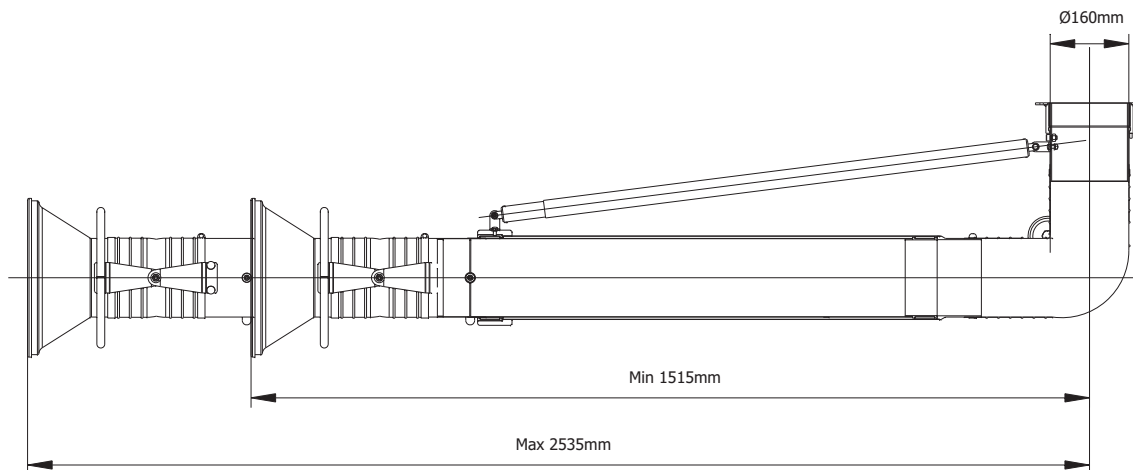


Product:

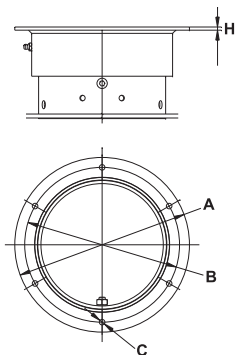
Telescopic arm Ø160

Index:

W02-01-T1626

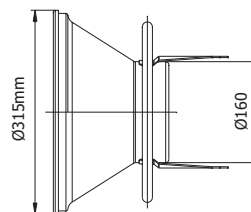


**Oskar Fume Arm Mounting Flange**



H = 4mm  
A = Ø220mm  
B = Ø195mm  
C = 6 holes Ø7mm

**Standard hood**



**Features:**

- galvanized tubes powder coated color blue RAL5010
- aluminum hood powder coated yellow RAL1028
- external aluminum arm joint parts painted black
- flexible PVC black hose rated -30°C to 100°C (other hoses available on separate request)
- standard built-in manual damper
- all external adjustments and supports
- grab handle all around the hood



**Accessories and options:**

- P07-01-0004 - Mounting bracket Ø160
- P07-01-0013 - Longer bracket Ø160
- P02-80-0001 - MOD A light kit & photo sensor
- P02-80-0002 - MOD L light kit with Switch

