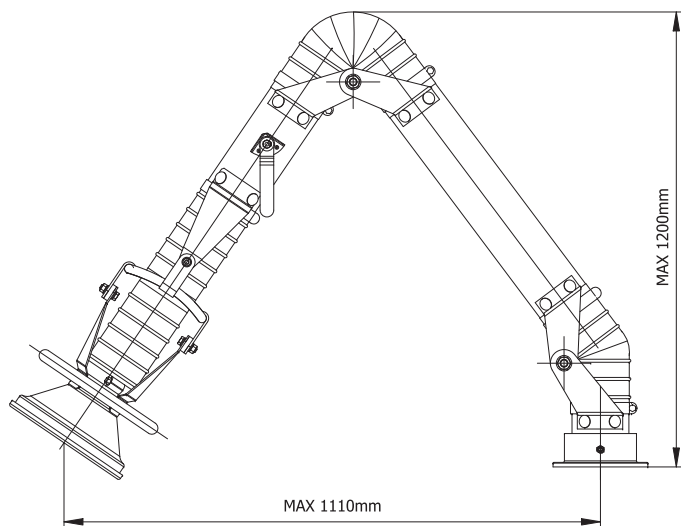
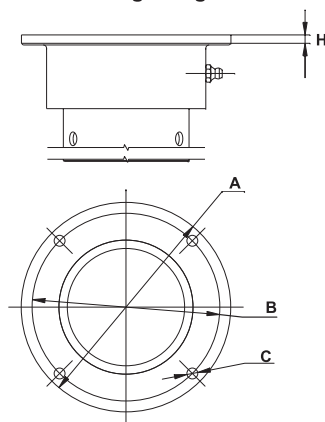


Product: Stainless steel Oskar fume extraction arm Ø75 - standing model

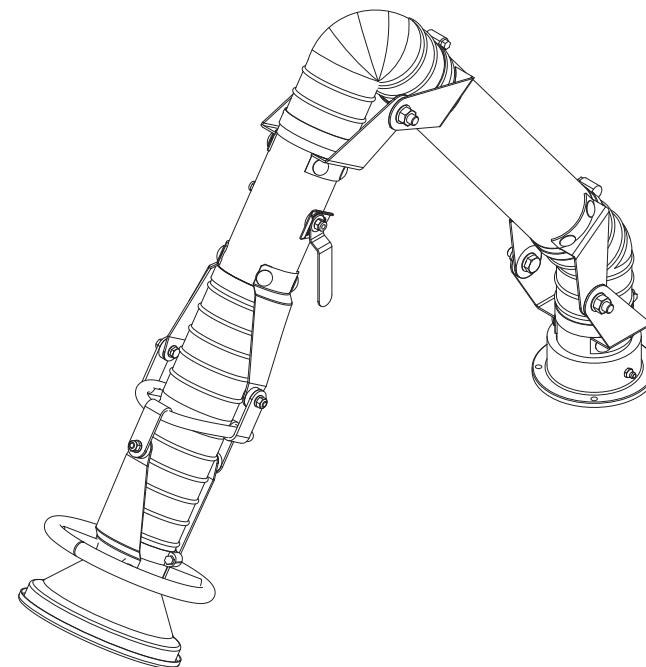
Index: W02-SS-0710P



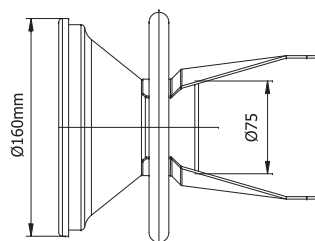
**Oskar Fume Arm
Mounting Flange**



H = 5mm
A = Ø125mm
B = Ø112mm
C = 4 holes Ø6,5 mm



Standard hood



Accessories and options:

- P07-01-9501 - Mounting bracket Ø75
- P07-02-9503 - Connection flange Ø75
- P02-80-0010 - Grounding option



Features:

- stainless steel capture hood with air diverter and grab handle all around the hood
- aluminum hood joints painted black
- middle and swivel steel joints painted black
- stainless and aluminium mounting swivel (duct inner part of the swivel fully stainless)
- smooth stainless steel tubes
- standard stainless steel built-in damper
- standard delivery with black PVC elastic hoses (temperature resistance up to 80°C)
- stainless steel grade 304

