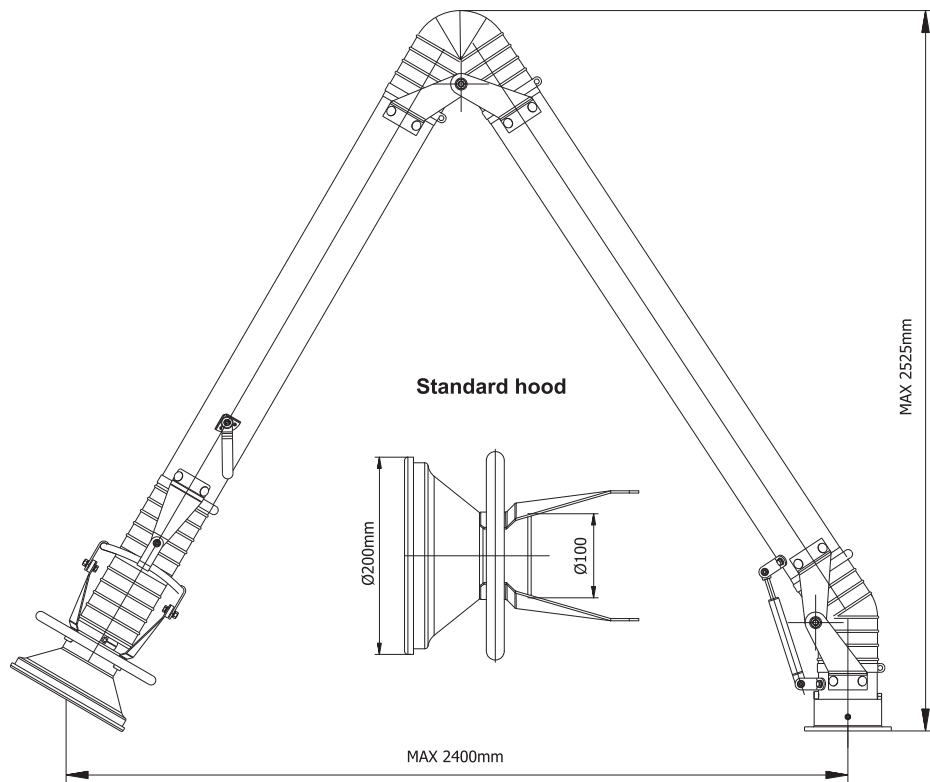
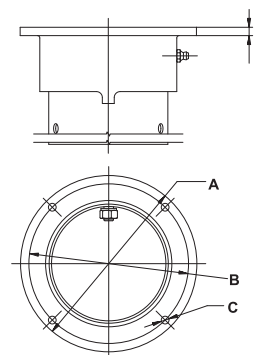


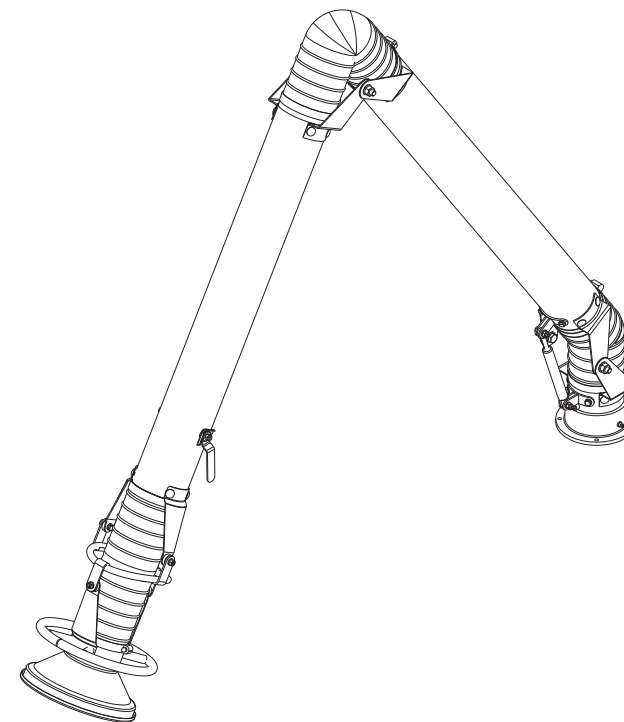
Product:	Stainless steel Oskar fume extraction arm Ø100 - standing model	
Index:	W02-SS-1025P	



**Oskar Fume Arm
Mounting Flange**



H = 7mm
 A = Ø148mm
 B = Ø134mm
 C = 4 holes Ø6,5 mm



- Accessories and options:**
- P07-01-9502 - Mounting bracket Ø100
 - P07-02-9501 - Connection flange Ø100
 - P02-80-0010 - Grounding option

- Features:**
- stainless steel capture hood with air diverter and grab handle all around the hood
 - aluminum hood joints painted black
 - middle and swivel steel joints painted black
 - stainless and aluminium mounting swivel (duct inner part of the swivel fully stainless)
 - smooth stainless steel tubes
 - standard stainless steel built-in damper
 - standard delivery with black PVC elastic hoses (temperature resistance up to 80°C)
 - stainless steel grade 304

