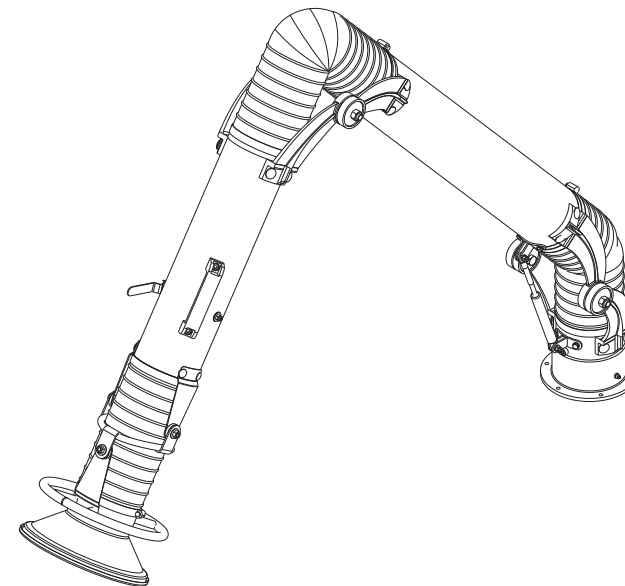
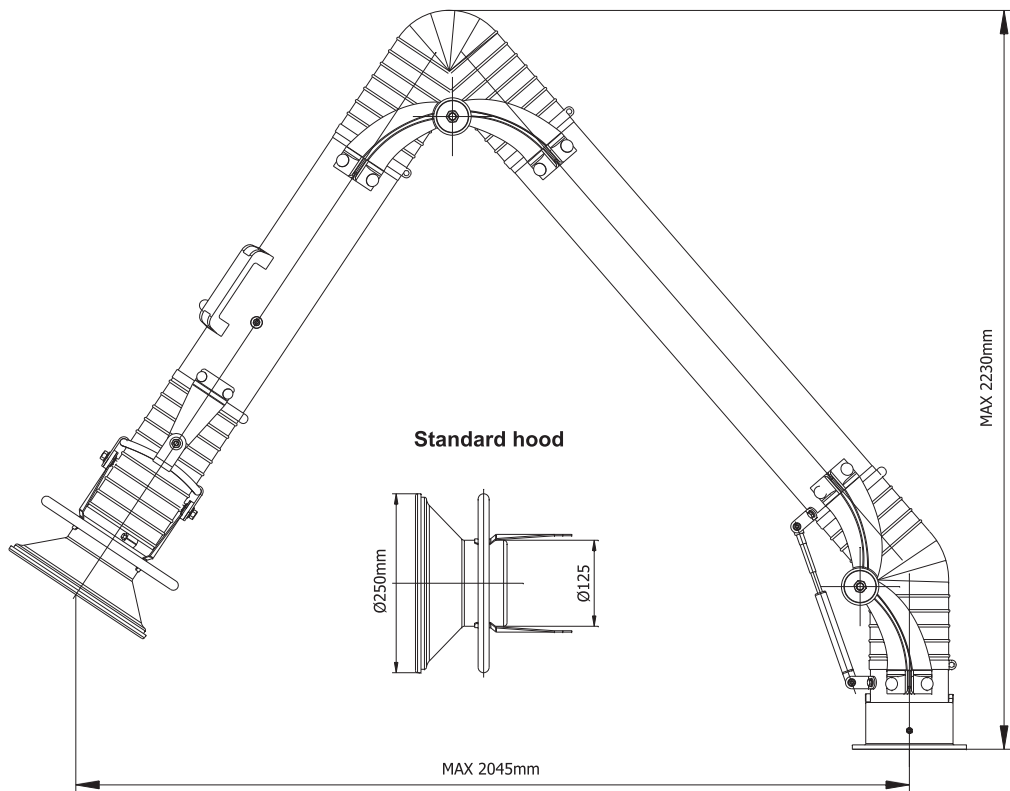
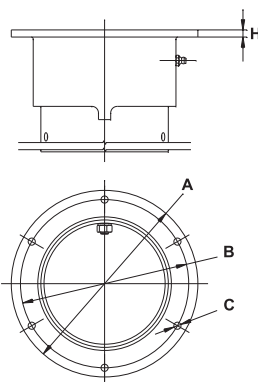


Product:	Stainless steel Oskar fume extraction arm Ø125 - standing model	
Index:	W02-SS-1220P	



**Oskar Fume Arm
Mounting Flange**

- H = 7mm
- A = Ø183mm
- B = Ø165mm
- C = 4 holes Ø7mm



- Accessories and options:**
- P07-01-9503 - Mounting bracket Ø125
 - P07-02-9501 - Connection flange Ø125
 - P02-80-0010 - Grounding option

- Features:**
- stainless steel capture hood with air diverter and grab handle all around the hood
 - aluminum hood joints painted black
 - middle and swivel steel joints painted black
 - stainless and aluminium mounting swivel (duct inner part of the swivel fully stainless)
 - smooth stainless steel tubes
 - standard stainless steel built-in damper
 - standard delivery with black PVC elastic hoses (temperature resistance up to 80°C)
 - stainless steel grade 304

