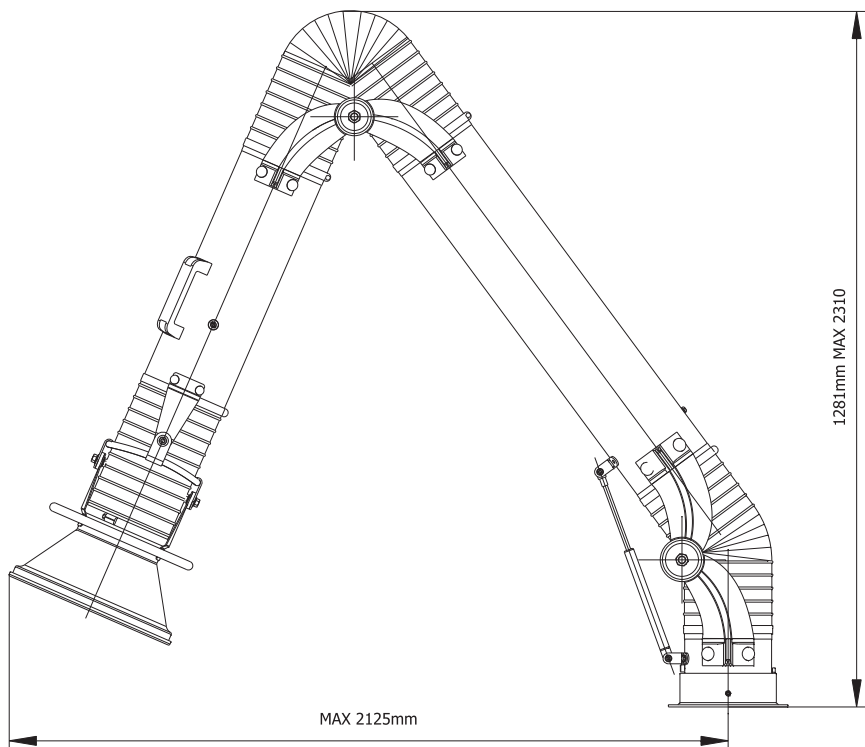
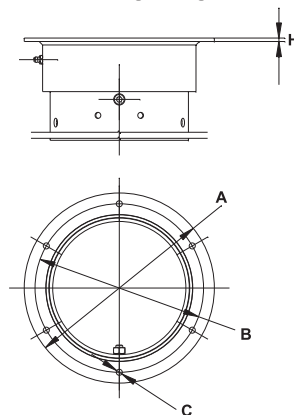


Product: Stainless steel Oskar fume extraction arm Ø160 - standing model

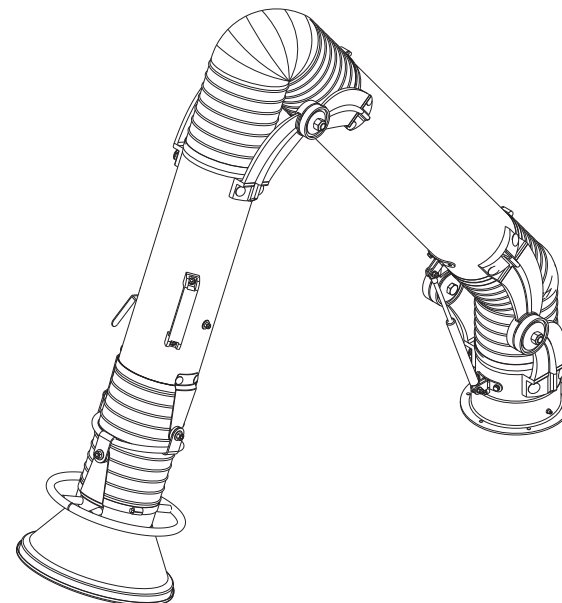
Index: W02-SS-1620P



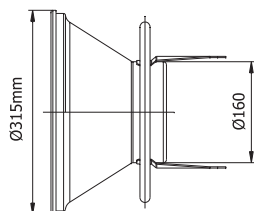
Oskar Fume Arm  
Mounting Flange



H = 7mm  
A = Ø220mm  
B = Ø195mm  
C = 6 holes Ø7mm



Standard hood



**Accessories and options:**

- P07-01-9504 - Mounting bracket Ø160
- P07-02-9504 - Connection flange Ø150
- P07-02-9502 - Connection flange Ø160
- P02-80-0010 - Grounding option



**Features:**

- stainless steel capture hood with air diverter and grab handle all around the hood
- aluminum hood joints painted black
- middle and swivel steel joints painted black
- stainless and aluminium mounting swivel (duct inner part of the swivel fully stainless)
- smooth stainless steel tubes
- standard stainless steel built-in damper
- standard delivery with black PVC elastic hoses (temperature resistance up to 80°C)
- stainless steel grade 304

