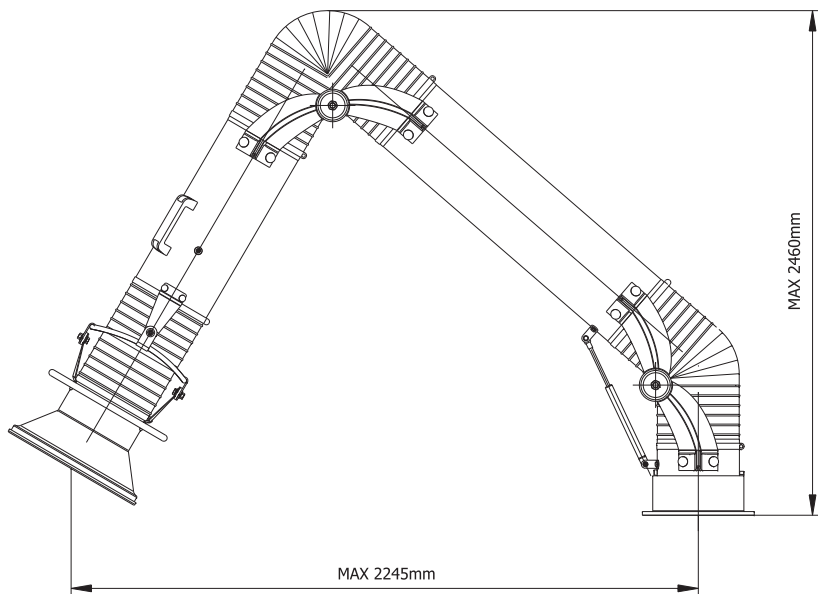
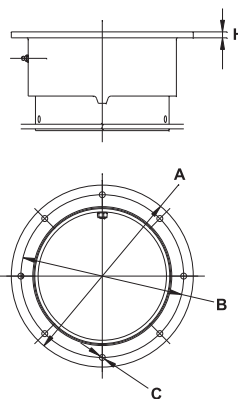


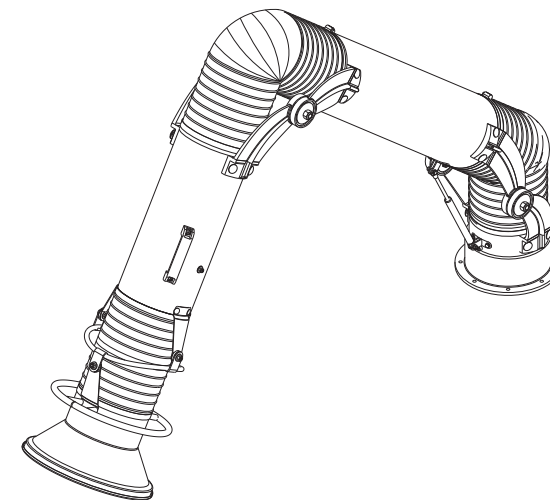
Product:	Stainless steel Oskar fume extraction arm Ø200 - standing model	
Index:	W02-SS-2020P	



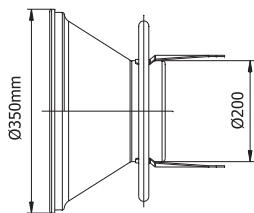
**Oskar Fume Arm
Mounting Flange**



H = 9mm
A = Ø275mm
B = Ø246mm
C = 8 holes Ø9mm



Standard hood



Accessories and options:

- P07-01-9505 - Mounting bracket Ø200
- P07-02-9502 - Connection flange Ø200
- P02-80-0010 - Grounding option



Features:

- stainless steel capture hood with air diverter and grab handle all around the hood
- aluminum hood joints painted black
- middle and swivel steel joints painted black
- stainless and aluminium mounting swivel (duct inner part of the swivel fully stainless)
- smooth stainless steel tubes
- standard stainless steel built-in damper
- standard delivery with black PVC elastic hoses (temperature resistance up to 80°C)
- stainless steel grade 304

